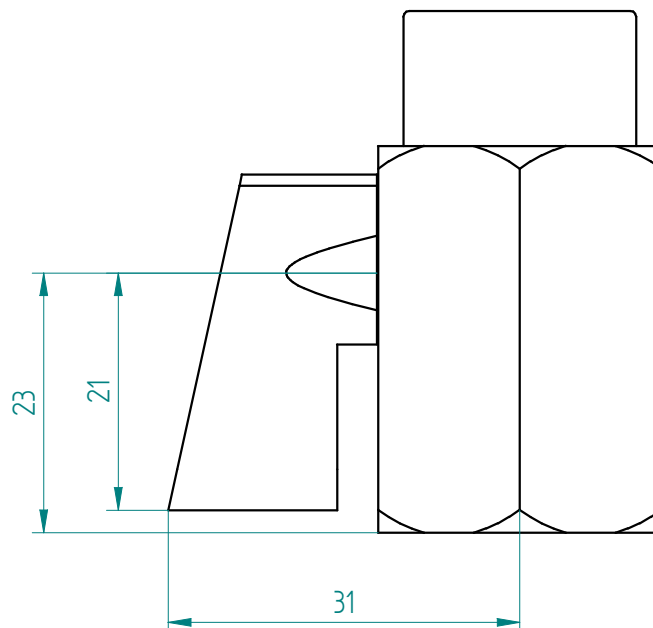
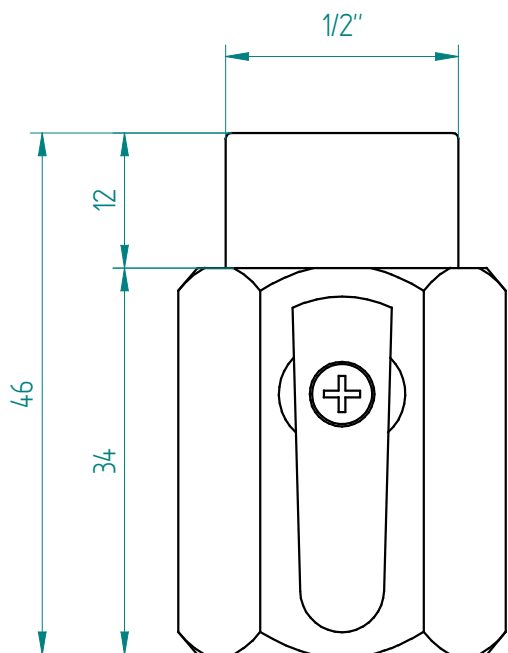
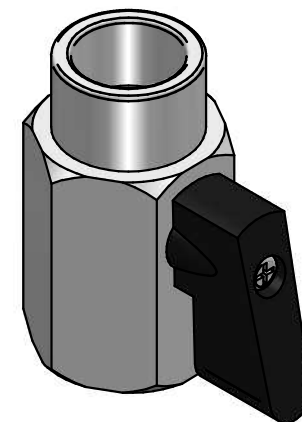


Maximum temperature: 110°C  
 Minimum temperature: -20 °C  
 Maximum operating pressure: Working limits at 10 bar  
 Threads: Female UNI ISO 228  
 Male UNI ISO 228

Body: CW617N-EN12164 brass Chrome plated  
 Ball: CW617N-EN12164 brass Chrome plated  
 Stem: CW617N-EN12164 brass  
 O-ring: Nitrile rubber NBR  
 Side washers: P.T.F.E.  
 Handle: PVC  
 Screw: Steel Zinc plated

Surface treatment: Chrome plated  
 Tolerance: ISO2768m



Tek.Nr: 95.8372	Rev: a	Eenh: mm	Proj:
Art.Nr: 95.8372	Getekend door: lw	Datum: 20-03-18	
Omschrijving:	Controle door: mr	Datum: 20-03-18	
Uitloopkraan tbv Soup Well			
Bijzonderheden: Break sharp edge No burrs No chips No damaging No oil			
Materiaal: See drawing			
IR nr:	<b>MOBILE CONTAINING</b>		
VR nr:			